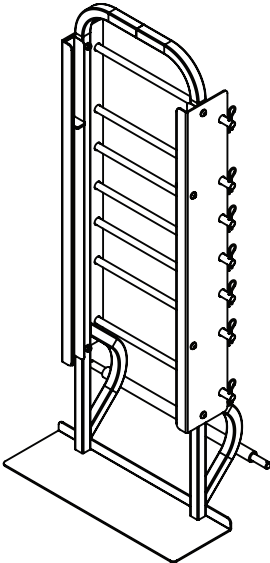


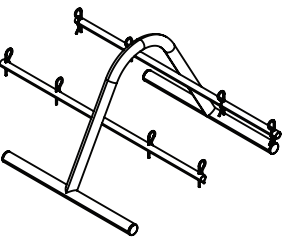
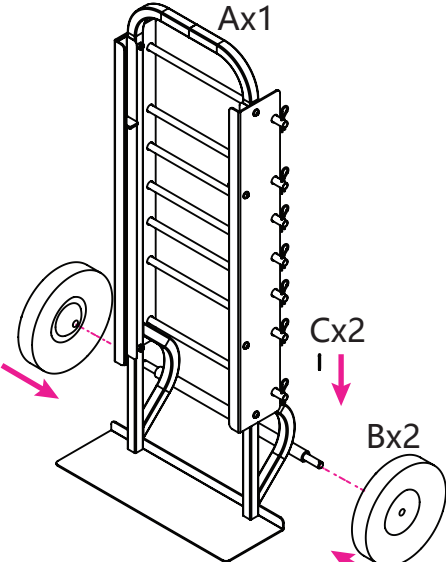
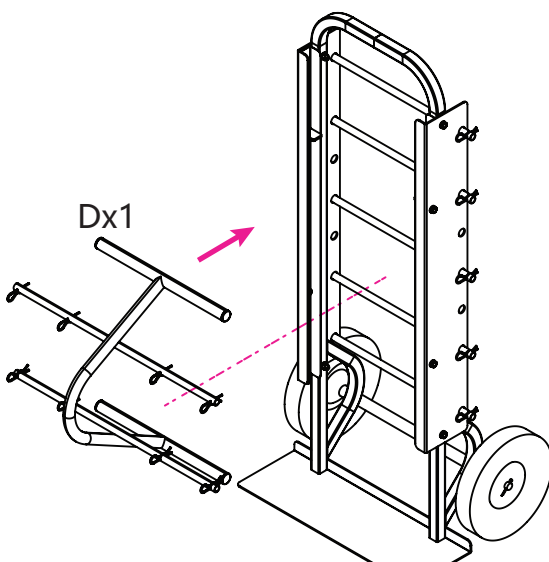
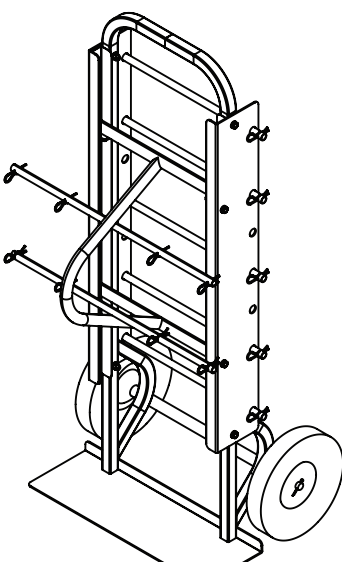


PARTS LIST:

<p>A Main Frame</p>  <p>x1</p>	<p>B Wheel</p>  <p>x2</p>	<p>C Pin</p>  <p>x2</p>
<p>D Hand Tote</p>  <p>x1</p>		

**Box 1 Contains Main Frame (1X), Wheel (2X), and Pin (2X).
Box 2 Contains Hand Tote (1X).**

ASSEMBLY:

<p>Step 1: Install the wheel B(2X) on the main frame, then insert the pin C(2X). PS. Please make sure to open the pin legs after inserting.</p>  <p>Ax1 Cx2 Bx2</p>	<p>Step 2: Install hand tote D(1X) on the main frame.</p>  <p>Dx1</p>	<p>FINISH</p> 
---	---	--