

Product Image



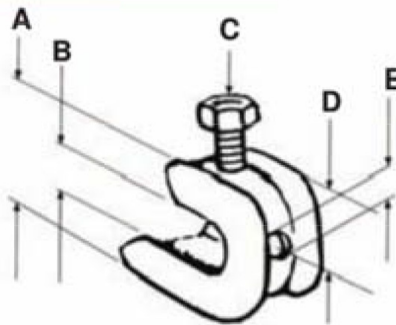
Steel Beam Clamps

Beam clamps are secured to the outside of an I-beam, girder, or other structural member to provide a mounting base for conduit hangers or threaded rod.

Features:

- Zinc plated steel
- Case hardened steel bolt
- Tapped threads back & bottom
- Zinc plated steel to protect from corrosion

Dimensional Data



PN#	Threaded Hole Size	Bolt Size	'A'	'B'	'C'	'D'	'E'
BK14	1/4"-20	1/4"	1.39	0.672	1/4" x 1"	0.695	1/4-20
BK38	3/8"-16	3/8"	1.95	0.781	5/16 x 1-3/8"	0.979	3/8-16

Performance Data

PN#	Torque (N-m)	Torque (lbf-in)	Load Rating
BK14	4.52	40	100 lbs
BK38	6.78	60	400 lbs