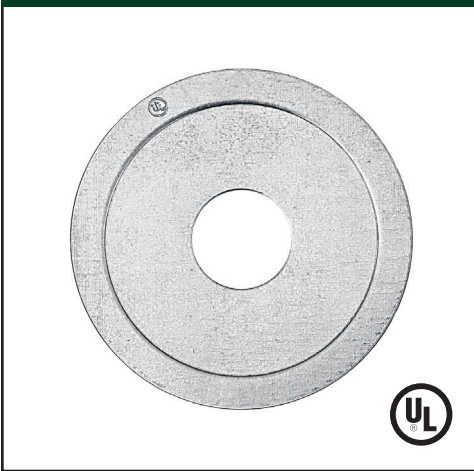


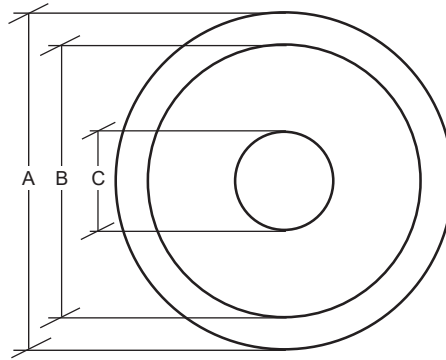
## Product Image



## Reducing Washers

Reducing Washers are used to reduce the size of knockouts in metal enclosures, cabinets, or sheet metal boxes.

## Dimensional Data



PN#	Description/Size	A (Outer Dia.) (inch)	B (Second Ring Dia.) (inch)	C (Hole Dia.) (inch)	Thickness (inch)
RW21	3/4" x 1/2" Reducing Washer	1.430 - 1.475	1.050 - 1.090	0.870 - 0.870	0.031
RW31	1" x 1/2" Reducing Washer	1.710 - 1.750	1.305 - 1.355	0.870 - 0.870	0.031
RW32	1" x 3/4" Reducing Washer	1.750 - 1.868	1.305 - 1.355	1.060 - 1.110	0.031
RW41	1-1/4" x 1/2" Reducing Washer	2.080 - 2.180	1.659 - 1.715	0.870 - 0.870	0.031
RW42	1-1/4" x 3/4" Reducing Washer	2.080 - 2.180	1.659 - 1.715	1.060 - 1.110	0.031
RW43	1-1/4" x 1" Reducing Washer	2.080 - 2.180	1.659 - 1.715	1.335 - 1.370	0.031
RW51	1-1/2" x 1/2" Reducing Washer	2.440 - 2.635	1.893 - 1.953	0.870 - 0.870	0.031
RW52	1-1/2" x 3/4" Reducing Washer	2.440 - 2.635	1.893 - 1.953	1.060 - 1.110	0.031
RW53	1-1/2" x 1" Reducing Washer	2.440 - 2.635	1.893 - 1.953	1.335 - 1.370	0.031
RW54	1-1/2" x 1-1/4" Reducing Washer	2.440 - 2.635	1.893 - 1.953	1.690 - 1.750	0.031
RW61	2" x 1/2" Reducing Washer	3.000 - 3.265	2.366 - 2.428	0.870 - 0.870	0.031
RW62	2" x 3/4" Reducing Washer	3.000 - 3.265	2.366 - 2.428	1.060 - 1.110	0.031
RW63	2" x 1" Reducing Washer	3.000 - 3.265	2.366 - 2.428	1.335 - 1.370	0.031
RW64	2" x 1-1/4" Reducing Washer	3.000 - 3.265	2.366 - 2.428	1.690 - 1.750	0.031
RW65	2" x 1-1/2" Reducing Washer	3.000 - 3.265	2.366 - 2.428	1.980 - 1.995	0.031

# TECHNICAL DATA SHEET



PN#	Description/Size	A (Outer Dia.) (inch)	B (Second Ring Dia.) (inch)	C (Hole Dia.) (inch)	Thickness (inch)
RW71	2-1/2" x 1/2" Reducing Washer	3.500 - 3.720	2.863 - 2.933	0.870 - 0.870	0.038
RW72	2-1/2" x 3/4" Reducing Washer	3.500 - 3.720	2.863 - 2.933	1.060 - 1.110	0.038
RW73	2-1/2" x 1" Reducing Washer	3.500 - 3.720	2.863 - 2.933	1.335 - 1.370	0.038
RW74	2-1/2" x 1-1/4" Reducing Washer	3.500 - 3.720	2.863 - 2.933	1.690 - 1.750	0.038
RW75	2-1/2" x 1-1/2" Reducing Washer	3.500 - 3.720	2.863 - 2.933	1.980 - 1.995	0.038
RW76	2-1/2" x 2" Reducing Washer	3.500 - 3.720	2.863 - 2.933	2.400 - 2.460	0.038
RW81	3" x 1/2" Reducing Washer	4.120 - 4.490	3.498 - 3.578	0.870 - 0.870	0.038
RW82	3" x 3/4" Reducing Washer	4.120 - 4.490	3.498 - 3.578	1.060 - 1.110	0.038
RW83	3" x 1" Reducing Washer	4.120 - 4.490	3.498 - 3.578	1.335 - 1.370	0.038
RW84	3" x 1-1/4" Reducing Washer	4.120 - 4.490	3.498 - 3.578	1.690 - 1.750	0.038
RW85	3" x 1-1/2" Reducing Washer	4.120 - 4.490	3.498 - 3.578	1.980 - 1.995	0.038
RW86	3" x 2" Reducing Washer	4.120 - 4.490	3.498 - 3.578	2.400 - 2.460	0.038
RW87	3" x 2-1/2" Reducing Washer	4.120 - 4.490	3.498 - 3.578	2.950 - 2.960	0.038
RW92	3-1/2" x 3/4" Reducing Washer	4.615 - 4.620	3.920 - 4.000	1.060 - 1.110	0.038
RW94	3-1/2" x 1-1/4" Reducing Washer	4.615 - 4.620	3.920 - 4.000	1.690 - 1.750	0.038
RW95	3-1/2" x 1-1/2" Reducing Washer	4.615 - 4.620	3.920 - 4.000	1.980 - 1.995	0.038
RW96	3-1/2" x 2" Reducing Washer	4.615 - 4.620	3.920 - 4.000	2.400 - 2.460	0.038
RW97	3-1/2" x 2-1/2" Reducing Washer	4.615 - 4.620	3.920 - 4.000	2.950 - 2.960	0.038
RW98	3-1/2" x 3" Reducing Washer	4.615 - 4.620	3.920 - 4.000	3.590 - 3.590	0.038
RW102	4" x 3/4" Reducing Washer	5.140 - 5.150	4.420 - 4.500	1.060 - 1.110	0.047
RW103	4" x 1" Reducing Washer	5.140 - 5.150	4.420 - 4.500	1.335 - 1.370	0.047
RW104	4" x 1-1/4" Reducing Washer	5.140 - 5.150	4.420 - 4.500	1.690 - 1.750	0.047
RW105	4" x 1-1/2" Reducing Washer	5.140 - 5.150	4.420 - 4.500	1.980 - 1.995	0.047
RW106	4" x 2" Reducing Washer	5.140 - 5.150	4.420 - 4.500	2.400 - 2.460	0.047
RW107	4" x 2-1/2" Reducing Washer	5.140 - 5.150	4.420 - 4.500	2.950 - 2.960	0.047
RW108	4" x 3" Reducing Washer	5.140 - 5.150	4.420 - 4.500	3.590 - 3.590	0.047
RW109	4" x 3-1/2" Reducing Washer	5.140 - 5.150	4.420 - 4.500	4.120 - 4.120	0.047