

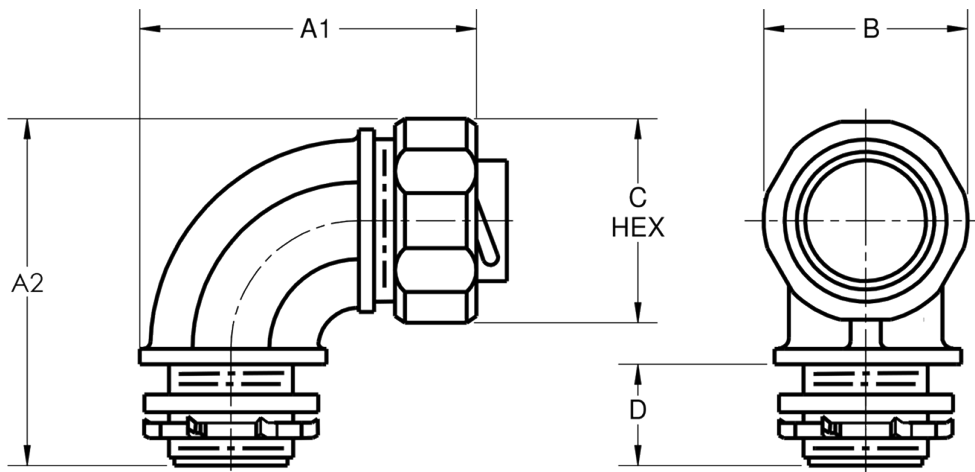
Product Image



Steel Liquid Tite Connectors – 90° Insulated

90° Insulated Steel Liquid Tight Connectors accommodate bends or turns in conduit runs and are used to connect liquid tight conduit into an enclosure. They are manufactured with an insulated throat to seal out moisture, oil and coolants.

Dimensional Data



PN#	Size	Length 'A1'	Length 'A2'	Diameter 'B'	Hex 'C'	Length of Thread 'D'
SL9050I	1/2"	2-7/32"	1-7/8"	1-3/16"	1-1/8"	19/32"
SL9075I	3/4"	2-15/32"	2-1/4"	1-7/16"	1-3/8"	19/32"
SL90100I	1"	2-31/32"	2-3/4"	1-3/4"	1-11/16"	21/32"
SL90125I	1-1/4"	3-9/32"	3-1/32"	2-5/32"	2-1/16"	11/16"
SL90150I	1-1/2"	3-23/32"	3-1/4"	2-3/8"	2-9/32"	23/32"
SL90200I	2"	4-15/16"	3-13/16"	2-7/8"	2-3/4"	23/32"
SL90250I	2-1/2"	9"	8-1/16"	3-13/32"	3-1/4"	1-1/8"
SL90300I	3"	10-1/2"	9-1/4"	4"	3-29/32"	1-1/8"
SL90350I	3-1/2"	11-1/2"	10-1/2"	4-9/16"	4-13/32"	1-1/8"
SL90400I	4"	13-1/2"	12-1/8"	5-3/32"	4-29/32"	1-5/8"