

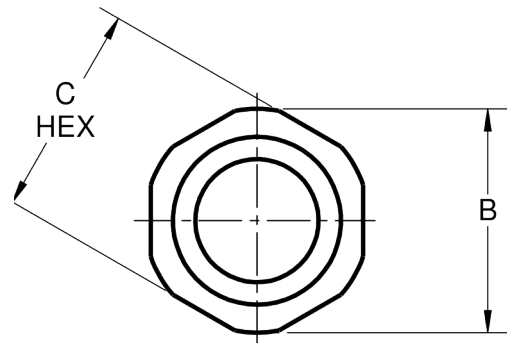
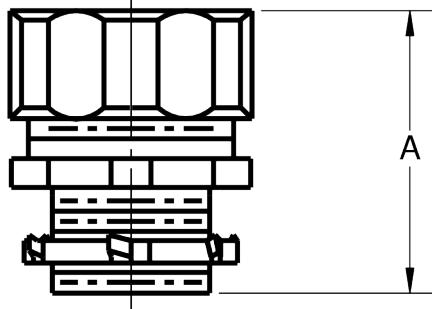
## Product Image



## No Thread Connectors – Non-insulated

No thread connectors are used to connect IMC and rigid conduit to metal enclosures.

## Dimensional Data



PN#	Size	Length 'A'	Diameter 'B'	Hex 'C'
NT50	1/2"	1-1/2"	1-3/16"	1-1/8"
NT75	3/4"	1-5/8"	1-7/16"	1-3/8"
NT100	1"	1-15/16"	1-3/4"	1-11/16"
NT125	1-1/4"	2-1/8"	2-3/16"	2-1/16"
NT150	1-1/2"	2-3/8"	2-3/8"	2-5/16"
NT200	2"	2-1/2"	2-7/8"	2-13/16"