

## Product Image



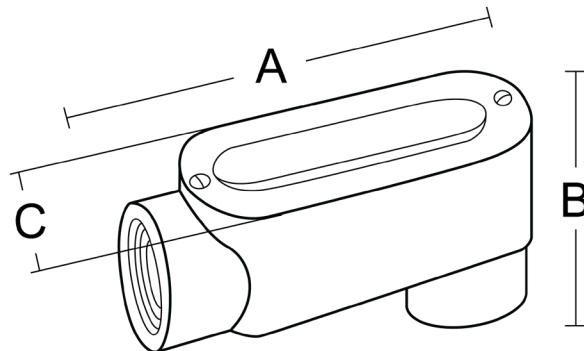
## LB Threaded Conduit Body w/ Cover & Gasket

LB Style Conduit Bodies are designed to allow for easy access to the interior of a conduit system for wire pulling and splicing. They are compatible with both IMC and Rigid Conduit and feature a removable cover and gasket for maintenance work.

Features:

- Wet locations
- Die cast powder coated aluminum

## Product Dimensions



PN	Size	Length 'A'	Height 'B'	Width 'C'	Wire Size	Volume
LB50CG	1/2"	111.50 mm	51.00 mm	33.40 mm [+0.30/-0.20]	---	4.3"
LB75CG	3/4"	131.45 mm	56.20 mm	38.30 mm [+0.30/-0.20]	6 AWG	7.3"
LB100CG	1"	150.50 mm	68.50 mm	44.50 mm [+0.30/-0.20]	3 # 4 AWG	12.3"
LB125CG	1-1/4"	197.03 mm	88.00 mm	63.36 mm [+0.40/-0.20]	3 # 2 AWG	32.3"
LB150CG	1-1/2"	197.03 mm	93.00 mm	63.36 mm [+0.40/-0.20]	3 # 2 AWG	33.8"
LB200CG	2"	250.10 mm	107.70 mm	79.68 mm [+0.40/-0.20]	3 # 1 AWG	71.3"
LB250CG	2-1/2"	326.00 mm	132.50 mm	112.80 mm [±2.50]	3 #4/0 AWG	153.0"
LB300CG	3"	333.20 mm	162.40 mm	112.80 mm [±2.50]	3 #250 MCM	182.5"
LB350CG	3-1/2"	392.60 mm	180.70 mm	137.70 mm [±2.50]	3 #350 MCM	304.8"
LB400CG	4"	393.50 mm	183.00 mm	137.70 mm [±2.50]	3 #350 MCM	308.0"