

## Product Image



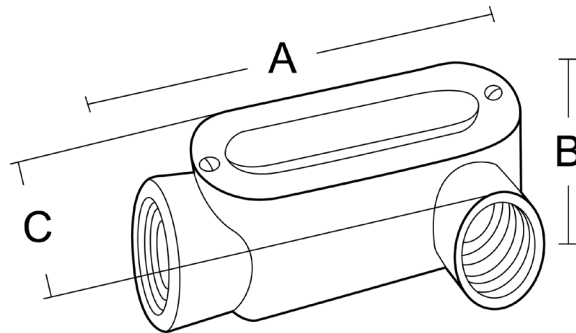
## LL Threaded Conduit Body w/ Cover & Gasket

LL Style Conduit Bodies are designed to allow for easy access to the interior of a conduit system for wire pulling and splicing. They are compatible with both IMC and Rigid Conduit and feature a removable cover and gasket for maintenance work.

Features:

- Wet locations
- Die cast powder coated aluminum

## Product Dimensions



PN	Size	Length 'A'	Height 'B'	Width 'C'	Wire Size	Volume
LL50CG	1/2"	111.50 mm	34.00 mm	48.30 mm [±0.40]	---	4.3"
LL75CG	3/4"	131.30 mm	39.20 mm	56.60 mm [±0.40]	6 AWG	7.3"
LL100CG	1"	150.30 mm	48.50 mm	63.00 mm [±0.40]	3 # 4 AWG	12.3"
LL125CG	1-1/4"	197.03 mm	63.00 mm	86.68 mm [±0.50]	3 # 2 AWG	35.8"
LL150CG	1-1/2"	197.03 mm	68.00 mm	86.68 mm [±0.50]	3 # 1/0 AWG	35.8"
LL200CG	2"	250.26 mm	82.90 mm	101.86 mm [±0.50]	3 # 4/0 AWG	69.8"
LL250CG	2-1/2"	332.20 mm	102.00 mm	152.40 mm [±0.50]	3 #300 MCM	153.0"
LL300CG	3"	333.20 mm	118.40 mm	151.40 mm [±0.50]	3 #300 MCM	182.5"
LL350CG	3-1/2"	392.60 mm	138.00 mm	162.60 mm [±0.50]	3 #350 MCM	304.8"
LL400CG	4"	392.60 mm	140.00 mm	162.60 mm [±0.50]	3 #350 MCM	308.0"