

Product Image



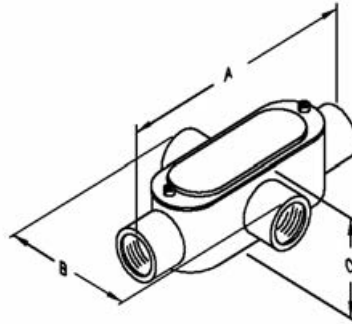
Conduit Bodies with Cover & Gasket

X style conduit bodies are designed to allow for easy access to the interior of a raceway for wire pulling and splicing. They are compatible with both IMC and rigid conduit and feature a removable cover and gasket for maintenance work.

Features:

- Tapered threaded hubs- NPT
- Suitable for use in concrete
- Wet locations

Product Dimensions



PN#	Size	'A'	'B'	'C'
X50CG	1/2"	4-3/4"	2-11/16"	1-5/8"
X75CG	3/4"	5-1/2"	3"	1-7/8"
X100CG	1"	6-1/2"	3-1/2"	2-1/8"
X125CG	1-1/4"	8-1/4"	4-1/2"	2-3/4"
X150CG	1-1/2"	8-1/4"	4-1/2"	2-3/4"
X200CG	2"	10-1/2"	5-3/8"	3-5/8"